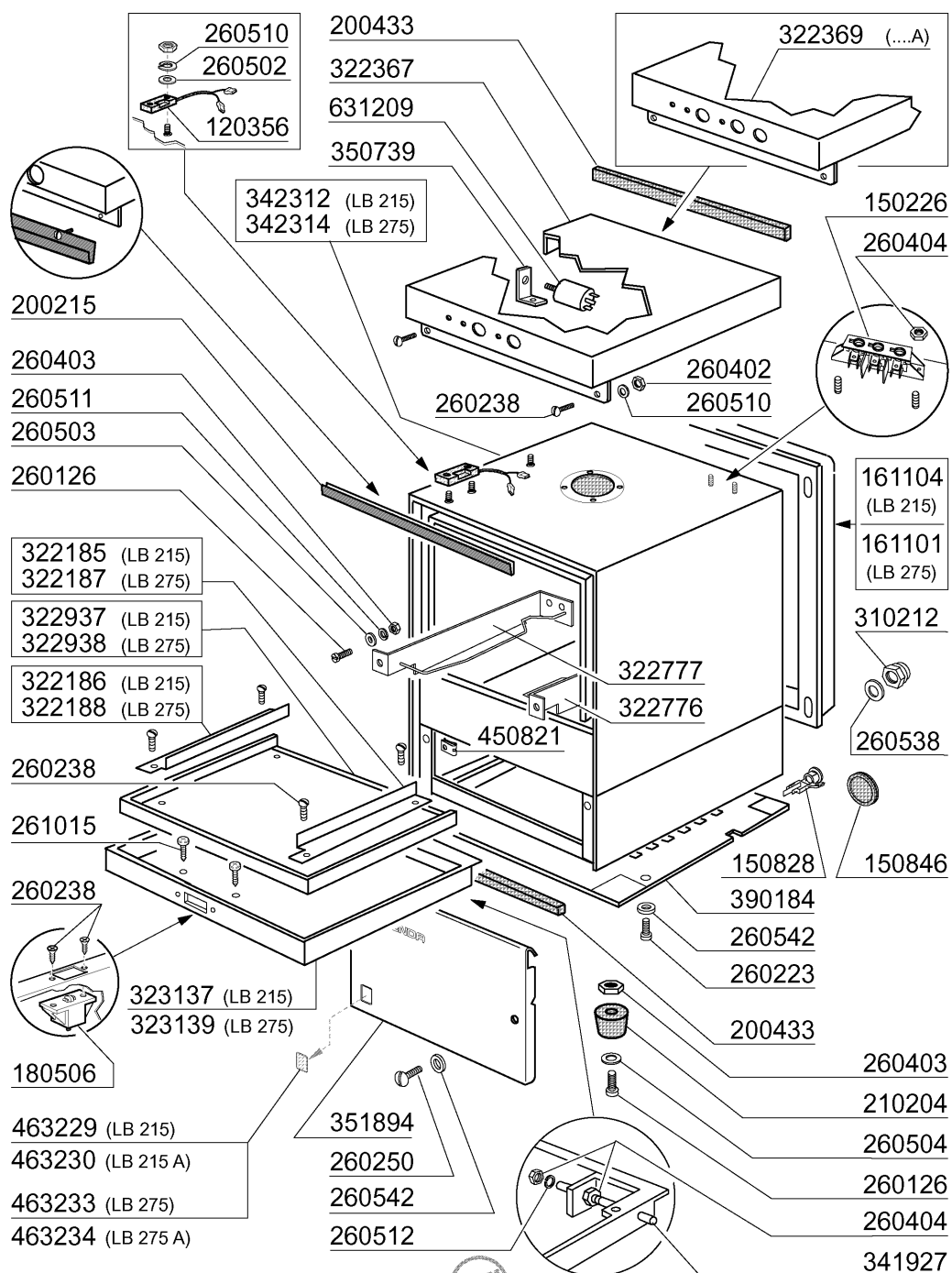
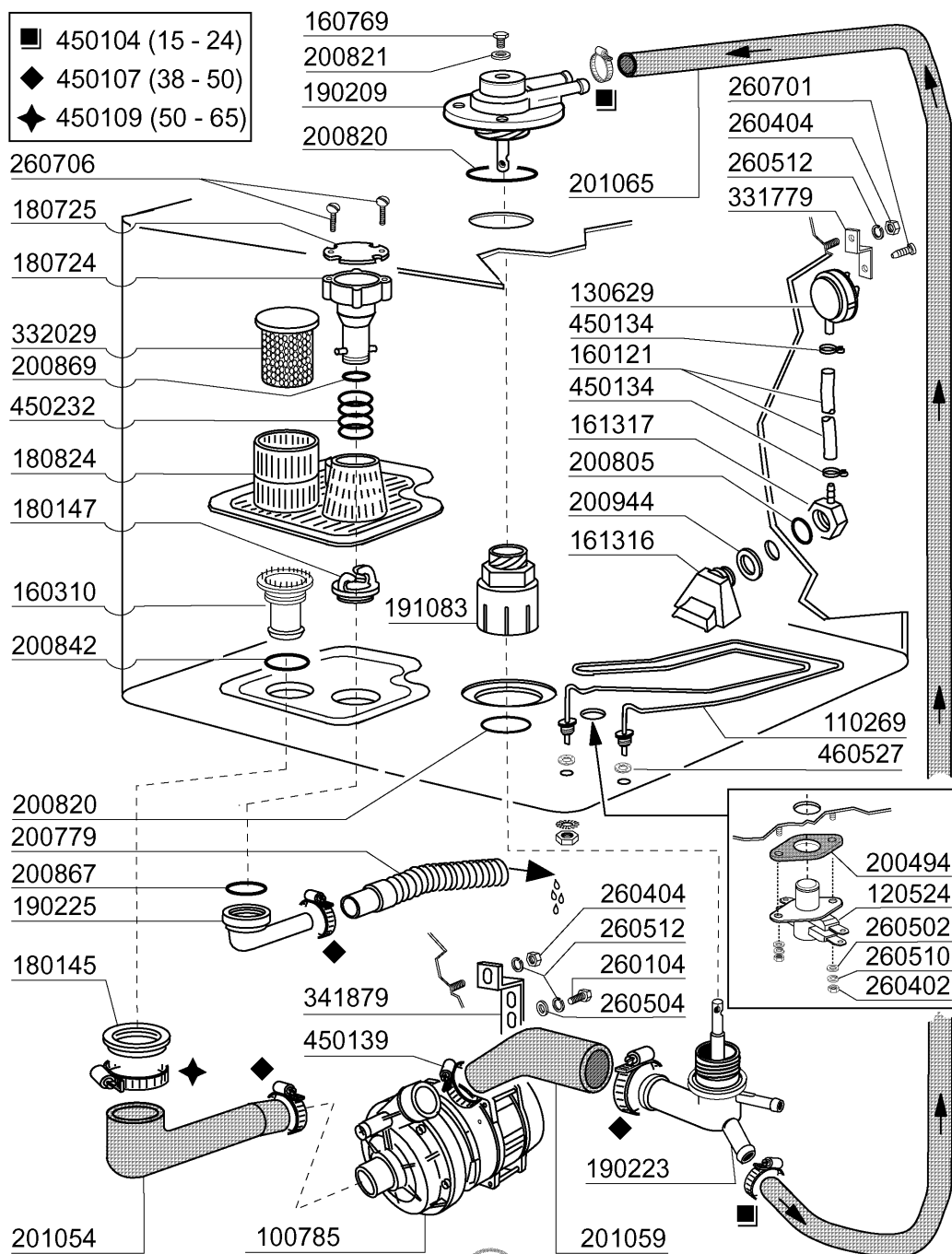


CODE	DESCRIPTION
120323	MICRO SWITCH WITH LEVER
150226	TERMINAL BLOCK
150828	CABLE HOLDER PA/107
160755	PLUG FOR MACHINES WITHOUT SOFT
160787	NUT
161101	BACK PANEL B18T-B19T
161104	BACK PANEL B25-11-12-18‡
170823	LB HANDLE
180506	DOOR CATCH BR-BC-FC
200215	DOOR GASKET FOR CA-CH GLASSWAS
200433	SPONGY RUBBER RECT. 6X2,5 ADHE
200462	DOOR MICRO GASKET
200489	GASKET 81X68X3
210204	FOOT FOR B20-10-11-12-15 ‡
260126	SCREW TE 5X12
260223	M5X12 MSH/HD SCREW SPECIAL S/S
260231	SCREW TCP 3X25
260238	M4 X 10 MUSH/HD SCREW
260250	SCREW TB 5X20
260401	NUT 3MA
260402	STAINLESS STEEL NUT D4 UNI 55
260403	NUTS D.5
260404	STAINLESS STEEL NUTS D6 UNI 55
260501	STAINL.STEEL FLAT WASHER D3 UN
260503	STAINL.STEEL FLAT WASHER D5 UN
260504	ST/ST FLAT WASHER D6
260509	GROWER WASHER D.3
260510	GROWER WASHER D.4
260511	GROWER WASHER D.5
260512	ST/ST GROWER WASHER D6
260538	WASHER 18X6X1,5 ST/ST
260542	WASHER D.5
261015	SCREW 3,9X13
310212	BLIND NUT M6 BLACK NYLON
322185	RIGHT GUIDE LBC215
322186	LEFT GUIDE LBC215
322187	RIGTH GUIDE LBC275
322188	LEFT GUIDE LBC275
322363	COVER LB215-275
322776	RIGHT RAIL LB
322777	LEFT RAIL LB
322937	DOOR BACK PANEL CH-CA22/CH-CA2
322938	DOOR BACK PANEL CH-CA26
323063	FRONT PANEL FOR LB215 DOOR
323066	PANEL FOR DOOR
330820	BUSH DOOR SWITCH F2-20-45-5
331449	MICRO SWITCH BRACKET BT
341927	DOOR PIN
342270	LB215 HOOD
342271	LB275 HOOD
350739	BRACKET
351787	PANEL (351873)
381002	PIN F.DOOR MICRO F2-20-45-55
390184	PANEL LB215-275
450821	SPRING CLIP FASTENER SNU 3634
631209	ANTI-NOISE FILTER



3 - Hood

CODE	DESCRIPTION
120356	DOOR MAGN.SWITCH
150226	TERMINAL BLOCK
150828	CABLE HOLDER PA/107
150846	CABLE HOLDER
161101	BACK PANEL B18T-B19T
161104	BACK PANEL B25-11-12-18‡
180506	DOOR CATCH BR-BC-FC
200215	DOOR GASKET FOR CA-CH GLASSWAS
200433	SPONGY RUBBER RECT. 6X2,5 ADHE
210204	FOOT FOR B20-10-11-12-15 ‡
260126	SCREW TE 5X12
260223	M5X12 MSH/HD SCREW SPECIAL S/S
260238	M4 X 10 MUSH/HD SCREW
260250	SCREW TB 5X20
260402	STAINLESS STEEL NUT D4 UNI 55
260403	NUTS D.5
260404	STAINLESS STEEL NUTS D6 UNI 55
260502	S/S FLAT WASHER D.4
260503	STAINL.STEEL FLAT WASHER D5 UN
260504	ST/ST FLAT WASHER D6
260510	GROWER WASHER D.4
260511	GROWER WASHER D.5
260512	ST/ST GROWER WASHER D6
260538	WASHER 18X6X1,5 ST/ST
260542	WASHER D.5
261015	SCREW 3,9X13
310212	BLIND NUT M6 BLACK NYLON
322185	RIGHT GUIDE LBC215
322186	LEFT GUIDE LBC215
322187	RIGHTH GUIDE LBC275
322188	LEFT GUIDE LBC275
322367	COVER LB215-275 2004
322369	COVER LB215A-275A 2004
322776	RIGHT RAIL LB
322777	LEFT RAIL LB
322937	DOOR BACK PANEL CH-CA22/CH-CA2
322938	DOOR BACK PANEL CH-CA26
323137	DOOR FRONT PANEL LB215 2004
323139	DOOR FRONT PANEL
341927	DOOR PIN
342312	HOOD
342314	HOOD
350739	BRACKET
351894	FRONT PANEL
390184	PANEL LB215-275
450821	SPRING CLIP FASTENER SNU 3634
463229	PLATE
463230	PLATE
463233	PLATE
463234	PLATE
631209	ANTI-NOISE FILTER



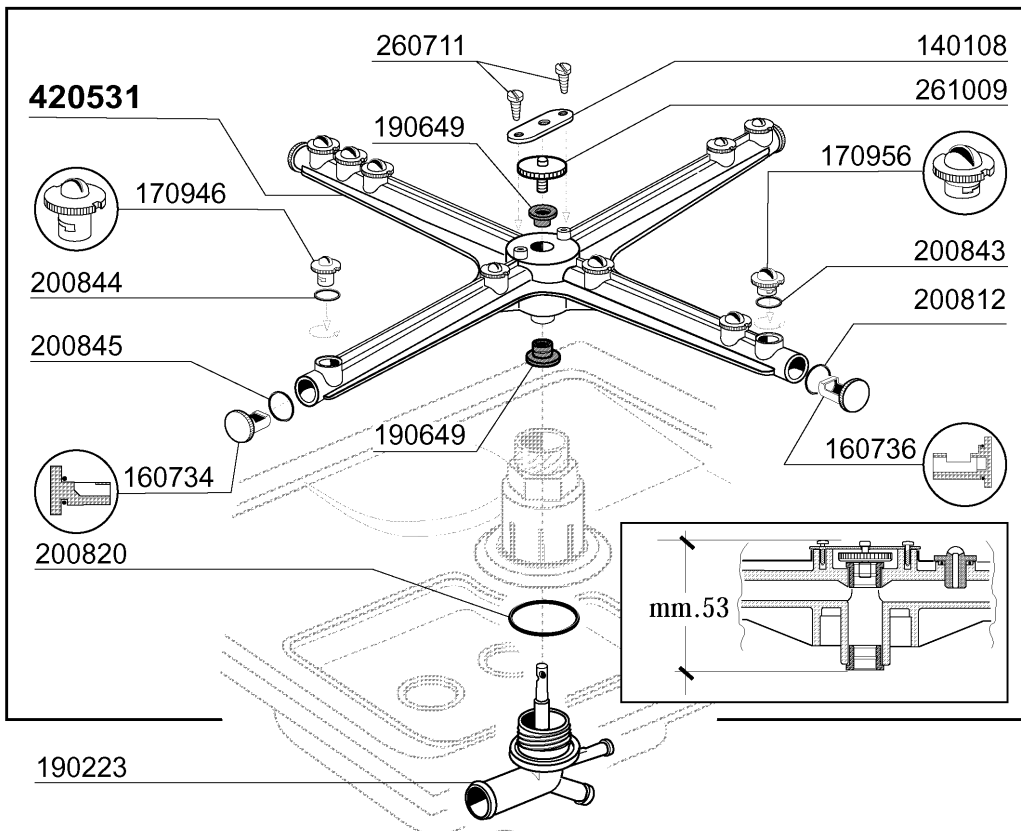
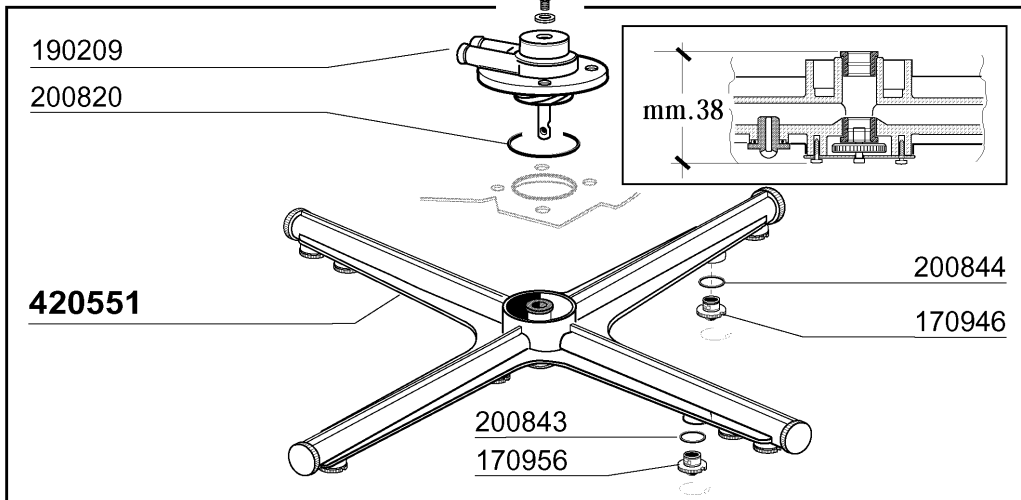
NEW
2005

02-2006 | S. AG.

4 - Tank

CODE	DESCRIPTION
100785	PUMP LGB ZF140 0.5HP
110269	TANK HEATER 2000W
120524	TANKTHERMOSTAT GLASSWASHER
130629	PRESSURE SWITCH 1L30-12
160121	HOSE EPDM D. 5 X 9
160310	INLET HOSE BHC
160769	PLUG F.UPPER WASH ARM SUPPORT
161316	AIR TRAP
161317	NUT FOR AIR TRAP
180145	NUT
180147	NUT
180724	OVERFLOW PIPE BHC
180725	OVERFLOW PIPE COVER
180824	TANK STRAINER BHC
190209	UPPER WASH/RINSE ARM SUPPORT "
190223	LOWER WASH/RINSE ARM SUPPORT B
190225	DRAIN OUTLET
191083	LOWER WASH ARM SUPPORT
200494	GASKET FOR TANKTHERMOSTAT BT
200779	DRAIN HOSE FOR BR-BC-FC43
200805	OR GASKET 2,62X28,24X33,48
200820	O-RING151 46,99X5,33X57,6
200821	O-RING 2,62X20,63
200842	SEAL RING OR158 PB701 NITRILE
200867	GASKET
200869	GASKET
200944	GASKET
201054	TANK INLET HOSE
201059	OUTLET HOSE
201065	OUTLET WASH HOSE LB
260104	STAINL.ST TE-SCREW A2 6X16 UNI
260402	STAINLESS STEEL NUT D4 UNI 55
260404	STAINLESS STEEL NUTS D6 UNI 55
260502	S/S FLAT WASHER D.4
260504	ST/ST FLAT WASHER D6
260510	GROWER WASHER D.4
260512	ST/ST GROWER WASHER D6
260701	SCREW 3,5X9,5
260706	SCREW 3,9X13 S/S
331779	PRESSURE SWITCH BRACKET
332029	PUMP FILTER BHC
341879	BRACKET FOR PUMP
450104	CLAMP FE ZN H=12,5 15-24
450107	CLAMP FE ZN 38-50 H=12,2
450109	CLAMP 50-65
450134	ELASTIC HOSE CLIP D.9,3/8,8
450139	CLAMP 26-38 H=9
450232	SPRING
460527	GASKET

5 - Wash and rinse arm



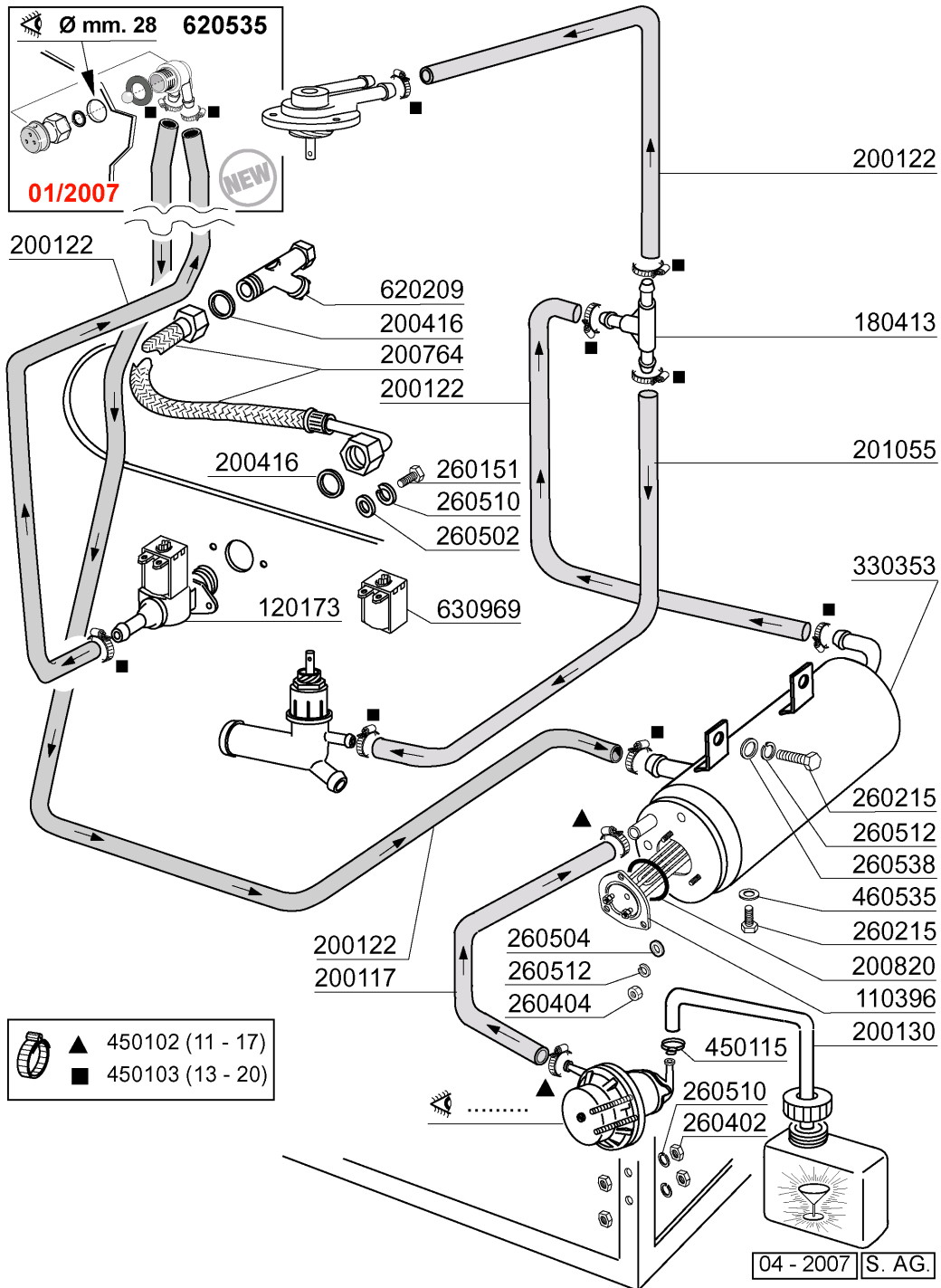
06 - 2005 | S. AG. | 01



5 - Wash and rinse arm

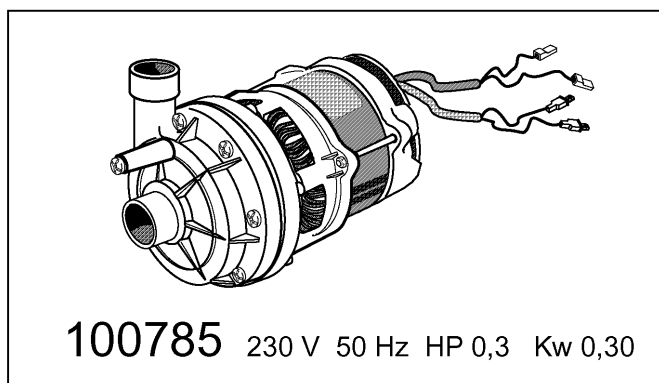
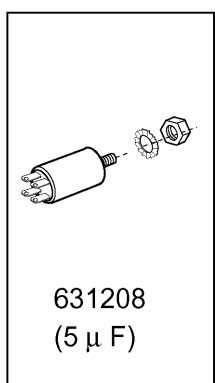
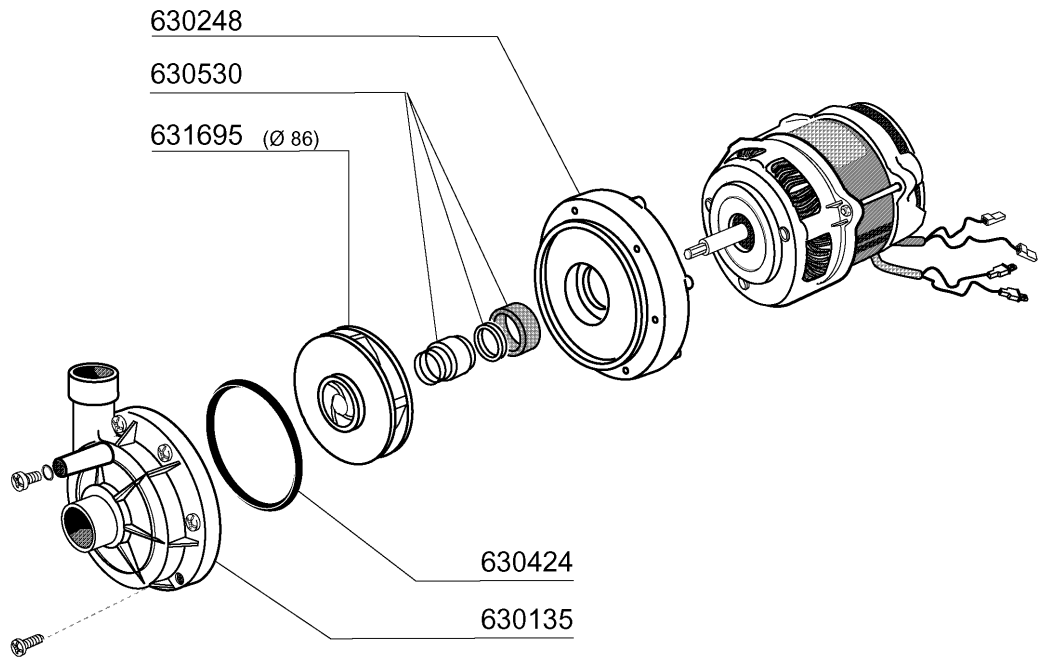
CODE	DESCRIPTION
140108	PLATE FOR WASH ARM
160734	END PLUGS RINSE ARM
160736	WASH ARM PLUG F45
170946	RINSE JET/RINSE ARM B-F
170956	WASH JET/WASH ARM B-F20
190209	UPPER WASH/RINSE ARM SUPPORT "
190223	LOWER WASH/RINSE ARM SUPPORT B
190649	BUSH WASH ARM GLASSWASHERS
200812	O-RING 1,78X17,17X20,73
200820	O-RING151 46,99X5,33X57,6
200843	O RING 2X13X17
200844	O RING 2X9,5X13,5
200845	O RING 109 2,62X9,13X14,37
260711	SCREW 4,2X13 A2 DIN7972
261009	RETAIN.SCREW FOR WASH-RINSE AR
420531	PLASTIC WASH-RINSE ARM F20-B
420551	UPPER WASH ARM GLASSWASHERS

6 - Rinse assembly



6 - Rinse assembly

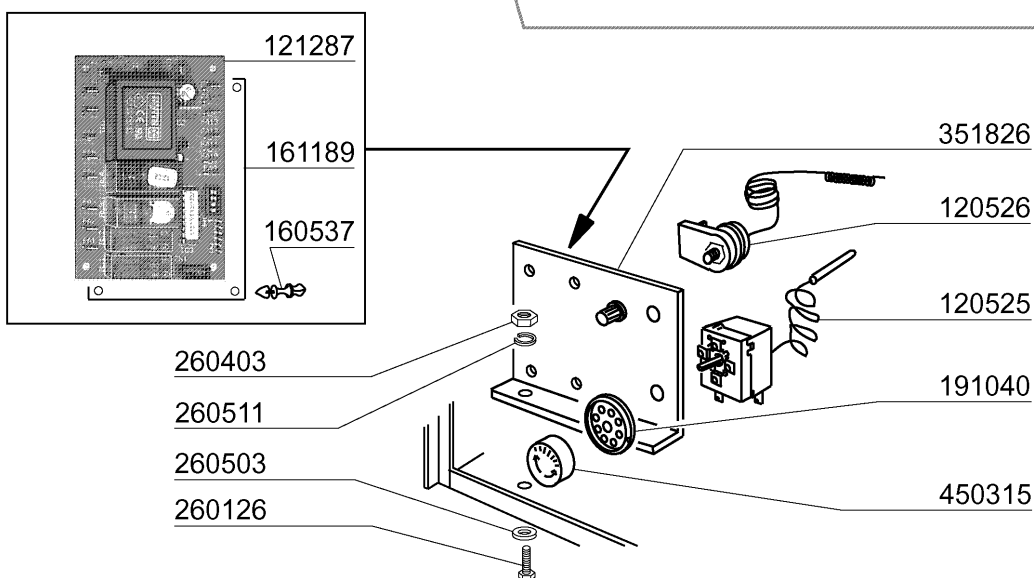
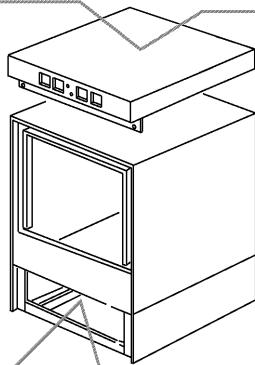
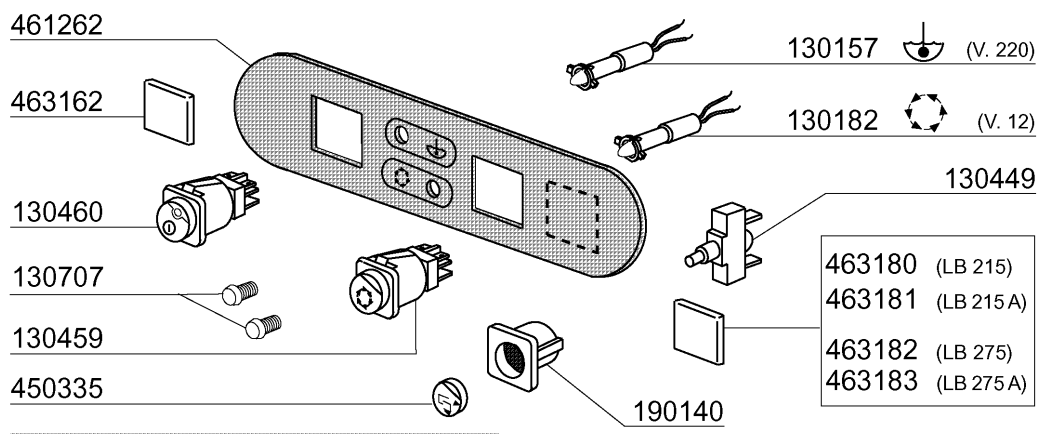
CODE	DESCRIPTION
110396	HEAT. ELEMENT 2400W 230V/1
120173	SOLENOID VALVE 1 WAY 180Ø
180413	TEE NIPPLE D.11,5 - RINSE ASSE
200117	RUBBER HOSE 7X16
200122	HOSE 11X19
200130	RINSE AID INJECTOR SUCTION HOS
200416	GASKET D. 3/4"
200764	GLASSWASHERS DRAIN HOSE
200820	O-RING151 46,99X5,33X57,6
201055	HOSE
260151	SCREW TE 4X12
260215	SCREW TCP 6X16
260402	STAINLESS STEEL NUT D4 UNI 55
260404	STAINLESS STEEL NUTS D6 UNI 55
260502	S/S FLAT WASHER D.4
260504	ST/ST FLAT WASHER D6
260510	GROWER WASHER D.4
260512	ST/ST GROWER WASHER D6
260538	WASHER 18X6X1,5 ST/ST
330353	BOILER BHC
450102	CLAMP FE ZN 11-17 H=9
450103	CLAMP FE ZN. 13-20 H=9
450115	ELASTIC CLAMP D.8,3/7,8
460535	GASKET FOR BOILER PLUG BHC
620209	INLET WATER FILTER
620535	VACUUM BREAKER
630969	COIL S4216 220/50HZ



06 - 2005 | S. AG.

7 - Wash pump

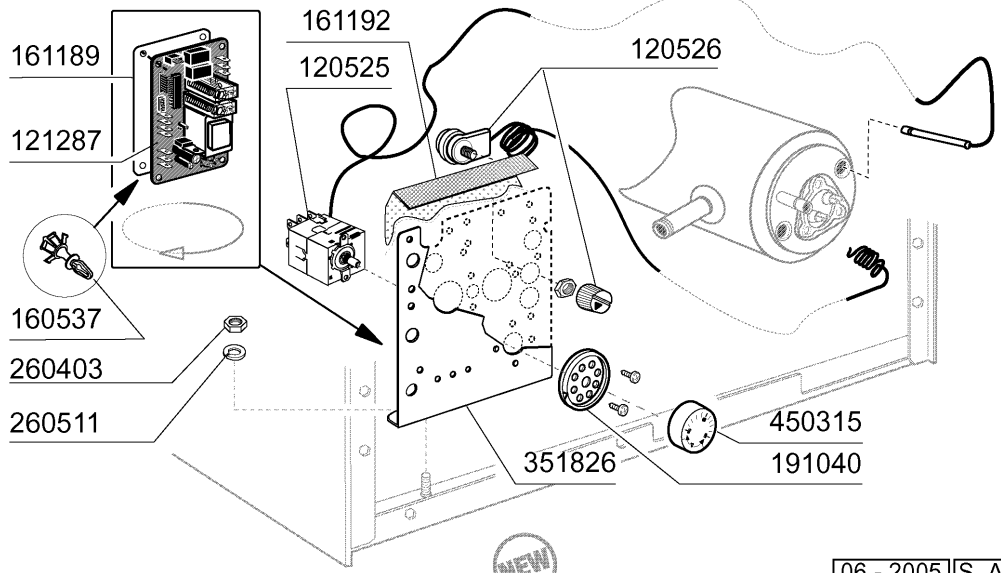
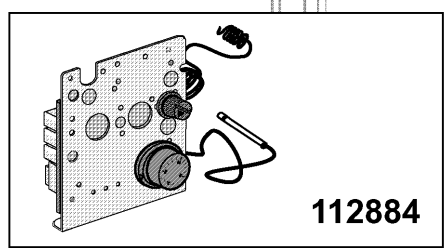
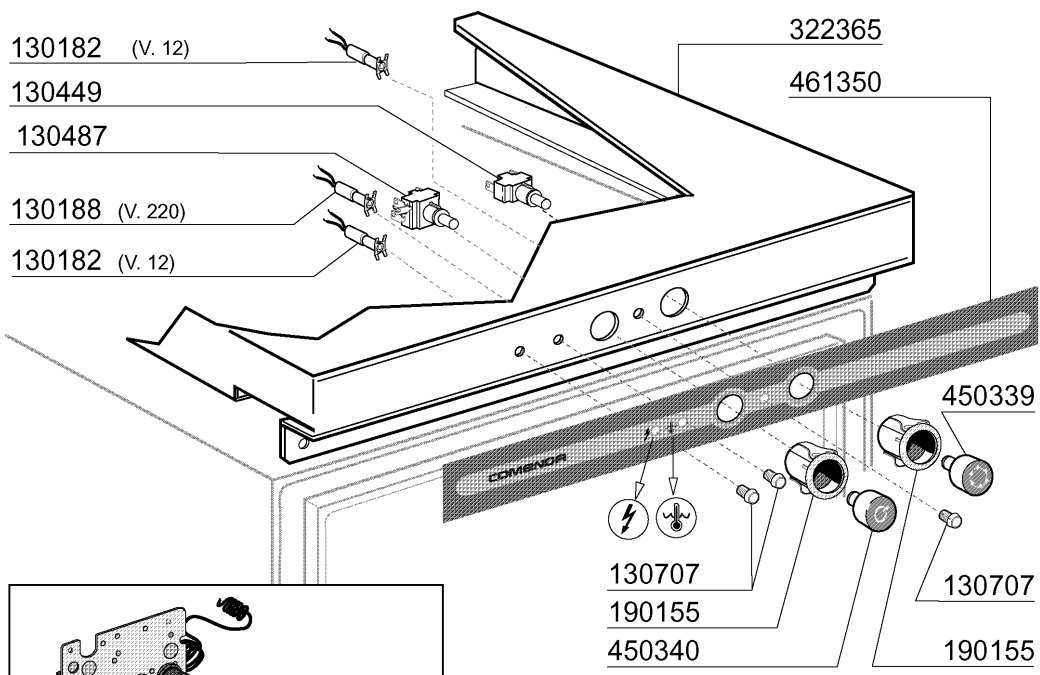
CODE	DESCRIPTION
100785	PUMP LGB ZF140 0.5HP
630135	PUMP VOLUTE LGB 0,30HP ZF140
630248	PUMP COVER LGB 0,30HP ZF140
630424	PUMP GASKET LGB 0,3HP ZF140
630530	SEAL FOR PUMP LGB 0,3HP ZF140
631208	CONDENSER 5MF.450V
631695	PUMP IMPELLER 0,3HP LGB



06- 2005 | S. AG.

8 - Control box

CODE	DESCRIPTION
120525	BOOSTER THERMOSTAT 2 TEMPERAT.
120526	SAFETY THERMOSTAT 2POLES
121287	ELECTRONIC TIMER
130157	GREEN LED FOR BR-BC-C-SERIES -
130182	GREEN LAMP 12V
130449	PUSH BUTTON BR-BC-FC
130459	CYCLE PUSH BUTTON GLASSW.LAV-L
130460	SWITCH FOR LAV-LINE GLASSWASHE
130707	TRANSPARENT LENS COVERS (C-SER
160537	ELECTRONIC CARD SPACER
161189	COVER
190140	BUTTON HOLDER BR-BC-FC
191040	FRAME F.THERMOSTAT KNOB
260126	SCREW TE 5X12
260403	NUTS D.5
260503	STAINL.STEEL FLAT WASHER D5 UN
260511	GROWER WASHER D.5
351826	BRACKET
450315	KNOB F. THERMOSTAT 90Ø
450335	PUSH BUTTON
461262	PLATE LB
463162	COMENDA NAME
463180	LB215 NAME
463181	LB215A NAME
463182	LB275 NAME
463183	LB275A NAME

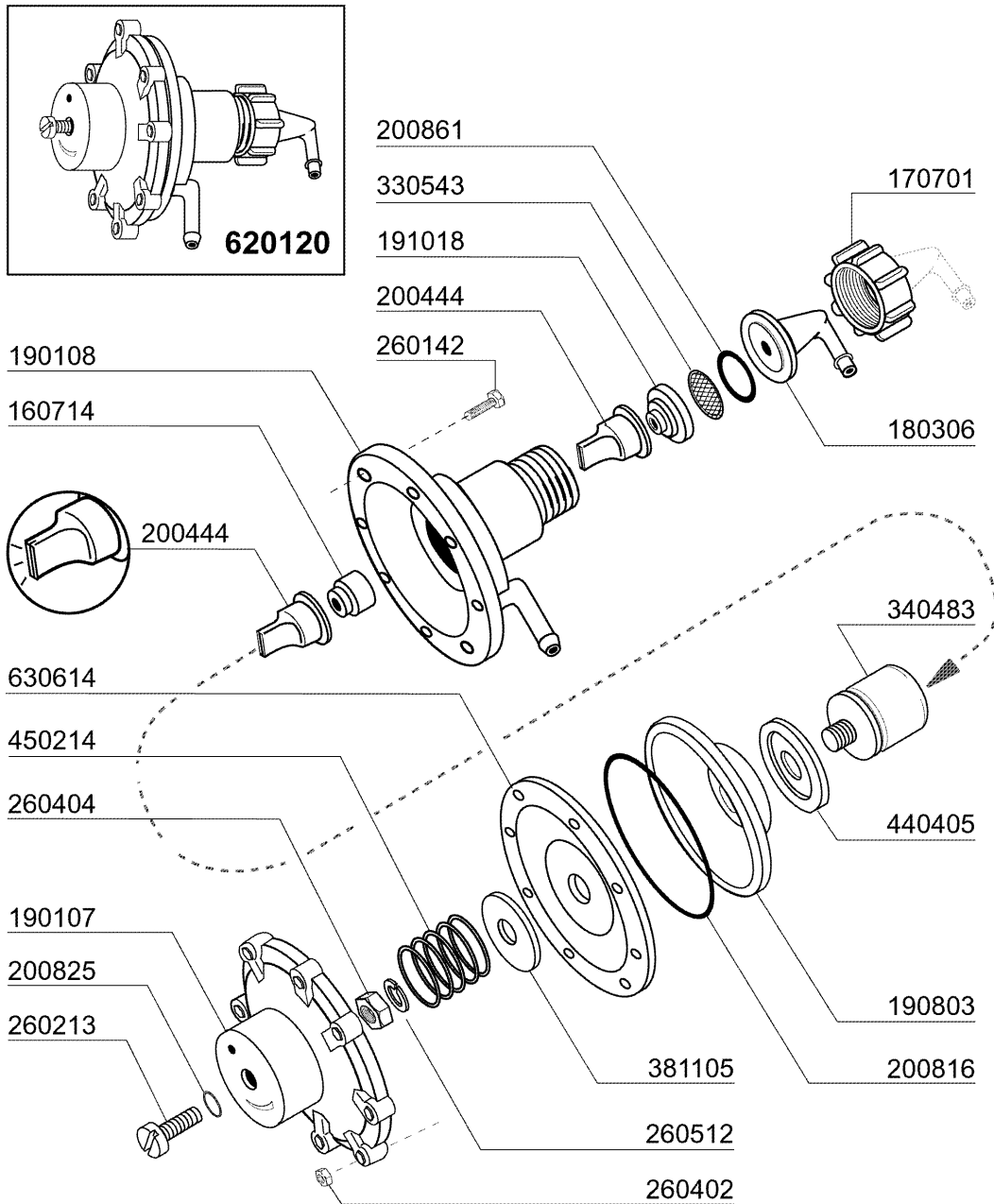


06 - 2005 | S. AG.

9 - Control box

CODE	DESCRIPTION
112884	WIRING
120525	BOOSTER THERMOSTAT 2 TEMPERAT.
120526	SAFETY THERMOSTAT 2POLES
121287	ELECTRONIC TIMER
130182	GREEN LAMP 12V
130188	GREEN LED 220V
130449	PUSH BUTTON BR-BC-FC
130487	SWITCH
130707	TRANSPARENT LENS COVERS (C-SER
160537	ELECTRONIC CARD SPACER
161189	COVER
161192	CONTROL BOX COVER
190155	BUTTON HOLDER
191040	FRAME F.THERMOSTAT KNOB
260403	NUTS D.5
260511	GROWER WASHER D.5
322365	COVER LB200-260 2004
351826	BRACKET
450315	KNOB F. THERMOSTAT 90Ø
450339	PUSH BUTTON "CYCLE"
450340	PUSH BUTTON
461350	FRONT PANEL

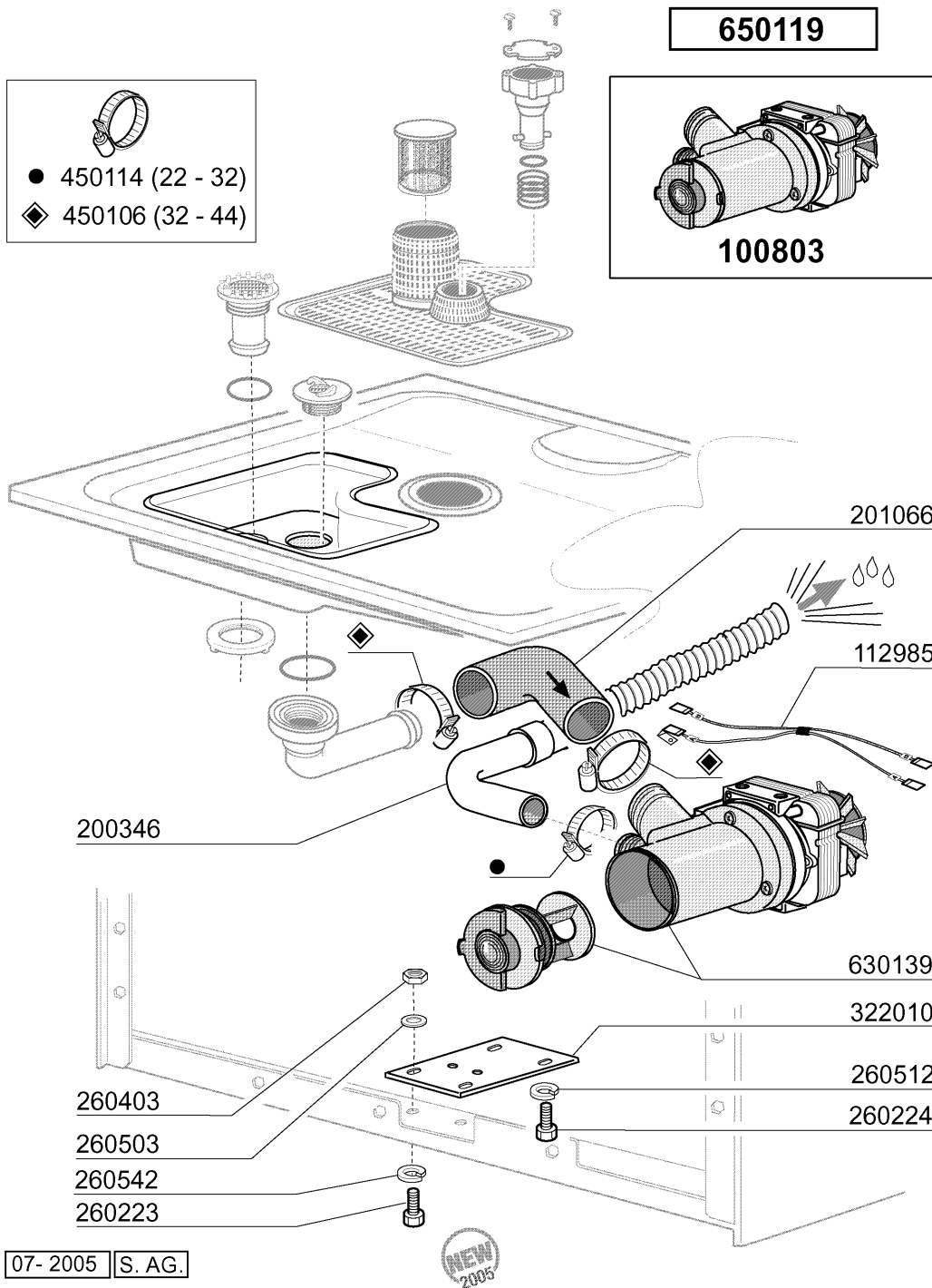
10 - Rinse aid injector



02 - 2004 | S. AG.

10 - Rinse aid injector

CODE	DESCRIPTION
160714	PLUG FOR RINSE AID INJECTOR MO
170701	LOCK NUT 1/2" F.INJECTOR
180306	NIPPLE F.RINSE AID INJECTOR
190107	COVER FOR RINSE AID DISPENSER
190108	VOLUTE FOR RINSE AID DISPENSER
190803	GASKET SUPPORT RING F.INJECT
191018	FILTER SUPPORT RINSE AID INJEC
200444	SUCTION VALVE RINSE INJECTOR
200816	O-RING 2,5X59,2X64,2 RINSE INJ
200825	O-RING 3X5X11 RINSE INJECTOR
200861	O-RING 14X18X2
260142	SCREW TE 4X16
260213	SCREW TCP 5X25
260402	STAINLESS STEEL NUT D4 UNI 55
260404	STAINLESS STEEL NUTS D6 UNI 55
260512	ST/ST GROWER WASHER D6
330543	FILTER RINSE AID INJECTOR D.17
340483	PISTON FOR RINSE AID DISPENSER
381105	DIAPHRAGME DISC
440405	GASKET FOR RINSE AID INJ.
450214	SPRING RINSE AID INJECTOR
620120	RINSE AID INJECTOR
630614	DIAPHRAGM RINSE INJECTOR



11 - Drain pump

CODE	DESCRIPTION
100803	DRAIN PUMP WITH FILTER 220/50
112985	WIRING DRAIN PUMP LB
200346	DRAIN HOSE GLASSWASHER
201066	INLET HOSE LB DRAIN PUMP
260223	M5X12 MSH/HD SCREW SPECIAL S/S
260224	TB-SCREW 6X15 B23-10-11-12
260403	NUTS D.5
260503	STAINL.STEEL FLAT WASHER D5 UN
260512	ST/ST GROWER WASHER D6
260542	WASHER D.5
322010	BRACKET FOR FOOT
450106	CLAMP FE ZN 32-44 H=12,2
450114	CLAMP FE ZN.22-32 H=12,2
630139	DRAIN PUMP VOLUTE WITH FILTER
650119	LB DRAIN PUMP

620994 | **BHC**

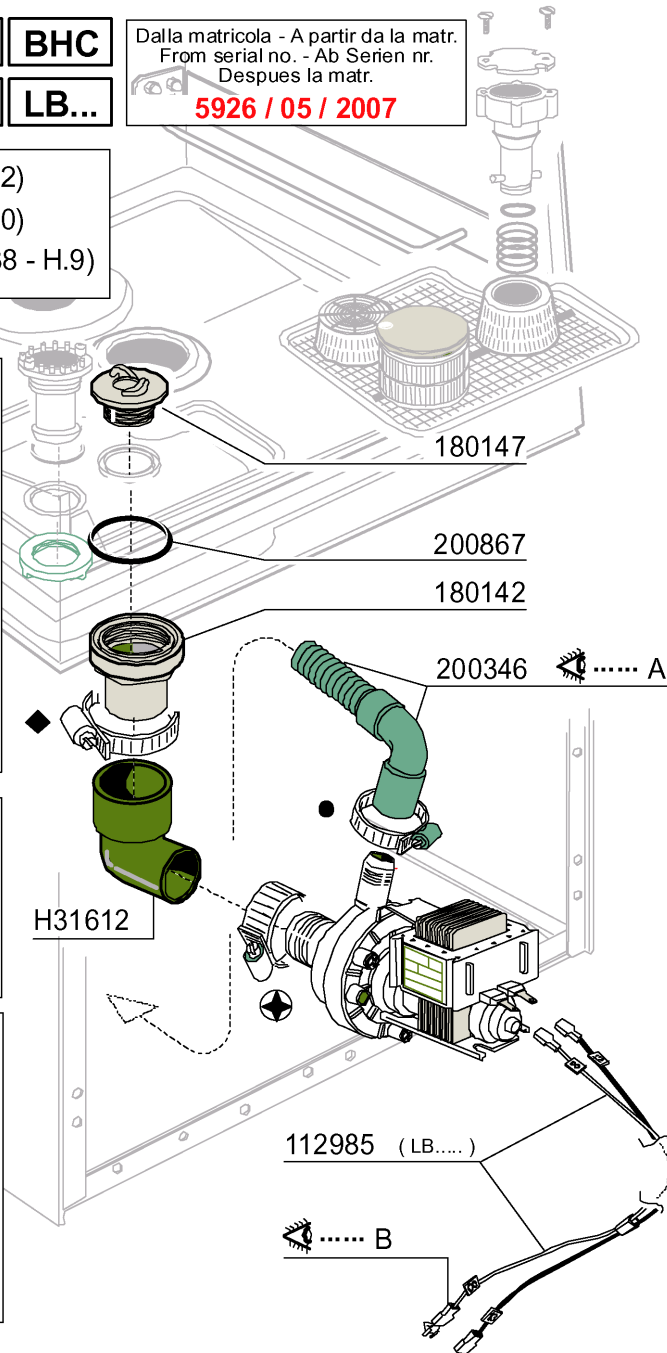
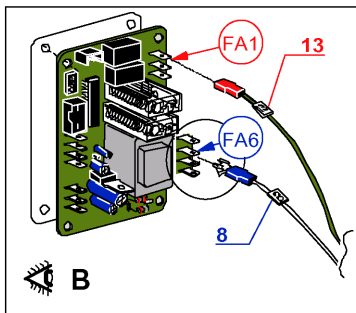
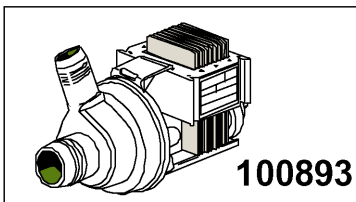
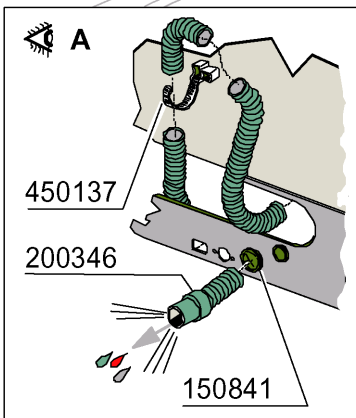
620993 + 112985 | **LB...**

Dalla matricola - A partir da la matr.
From serial no. - Ab Serien nr.
Despues la matr.

5926 / 05 / 2007



- 450114 (22 - 32)
- ◆ 450107 (38 - 50)
- ⊕ 450139 (26 - 38 - H.9)



12 - Drain pump

CODE	DESCRIPTION
100893	DRAIN PUMP 30W 230/50
112985	WIRING DRAIN PUMP LB
150841	CABLE HOLDER
180142	CONNECTOR FOR DRAIN PUMP
180147	NUT
200346	DRAIN HOSE GLASSWASHER
200867	GASKET
450107	CLAMP FE ZN 38-50 H=12,2
450114	CLAMP FE ZN.22-32 H=12,2
450137	COLLAR CONNECTION WITH BASE 31
450139	CLAMP 26-38 H=9
620993	DRAIN PUMP KIT LB+EF
620994	DRAIN PUMP KIT BHC
H31612	HOSE FOR DRAIN PUMP